



2015 1699 Regatta

Organizing Authority: Ocean Springs Yacht Club, Ocean Springs, Mississippi

April 25-26th, 2015

SAILING INSTRUCTIONS

1 Rules

1.1 The regatta will be governed by the rules as defined in the Racing Rules of Sailing 2013-2016 (RRS) and by the applicable class rules.

2 Notices to Competitors & Information Meetings

2.1 Notices to competitors will be posted on the notice board located on the 2nd floor of the Club outside the bar area.

3 Changes to the Sailing Instructions

3.1 Any change in the Sailing Instructions will be posted no less than 60 minutes prior to the first scheduled race on the day it will take effect, except that any change in the schedule of races will be posted by 2000 hours on the day before it will take effect.

4 Signals Made Ashore

4.1 Signals made ashore will be displayed from the 2nd floor southwest corner of the club..

4.2 When Race Signal AP is displayed ashore, "1 minute" is replaced with "not less than 30 minutes." This changes Race Signal AP.

5 Schedule of Races

5.1 There is no maximum number of races that may be conducted.

5.2 The scheduled first warning signal:

5.3.1 Saturday, 4/25 will be 1100

5.3.2 Sunday, 4/26 will be 1000

5.3.3 No race will start after 1400 on the last day of the regatta.

6 Class Flags

6.1 Class flags will be:

<u>Class</u>	<u>Flag</u>
Hobie 16s and longer Catamarans	Solid Blue
Waves, 420s, and other Portsmouth Monohulls	Solid Purple

Other class flags may be announced at the competitor meeting

7 Racing Area

7.1 The racing area will be on Biloxi Bay.

8 Courses

8.1 The diagrams in Attachment A show the courses, including the approximate angles between legs, the order in which marks are to be passed, and the side on which each mark is to be left..

8.2 The course designation will be displayed from RC signal boat no later than the warning signal for each start.

9.0 Marks

- 9.1 Rounding marks will be orange cylinders for Hobie 16 and longer catamarans. The windward mark for Waves., 420s, and other Portsmouth Monohulls will be an orange tetrahedron, other rounding marks for this class will be orange cylinders.
- 9.2 Change marks will be a yellow cylinder for all classes.
- 9.3 The starting and finishing mark will be an orange tomato.

10 Reserved

11 The Start

- 11.1 Races will be started by using rule 26 with the warning signal made 5 minutes before the starting signal.
- 11.2 The starting line will be between the staff from which an orange flag is displayed on the race committee signal boat and the course side of the starting mark.
- 11.3 Boats whose warning signal has not been made are asked to stay clear of the starting area during the starting sequence for other classes. The starting area is defined as an area extending approximately 100 feet in all directions from the starting line.

12 Change of Course

- 12.1 To change the next leg of the course, the race committee will lay a new mark (or move the finishing line) and remove the original mark as soon as practicable. When in a subsequent change a new mark is replaced, it will be replaced by an original mark.

13 The Finish

- 13.1 The finish line will be between the staff from which an orange flag is displayed on the race committee signal boat and the course side edge of the finishing mark.
- 13.2 If the race committee is absent when a boat finishes, she should report her finishing time, and her position in relation to nearby boats, to the race committee at the first reasonable opportunity.

14 Penalty System

- 14.1 RRS 44.1 and 44.2 are changed so that only one turn, including one tack and one jibe, is required.
- 14.2 Boats that are protested and have exonerated themselves by taking the alternative penalty shall notify the PRO after finishing or shall affirm same on the Official Notice Board within the protest time limit.

15 Reserved

16 Protests and Requests for Redress

- 16.1 Protest forms are available at the notice board as described in instruction 2.1
- 16.2 Protests or requests for redress shall be lodged at the yacht club office within sixty minutes of the race committee signal boat docking time. The race committee will post the docking time on the Official Notice Board as soon as possible.
- 16.3 Protests will be heard in the approximate order of receipt in the boardroom next to the women's restroom. The time of the protest hearings will be posted within fifteen minutes of the end of the protest time on the official notice board. This is the notice required under RRS 61.1 and 63.2.

17 Scoring

- 17.1 The Low Point Scoring System of Appendix A of the RRS will apply, (except that a boats worst score will not be discarded unless 6 races are completed).
- 17.2 Fleets without sufficient entries to race as a one design fleet will be handicapped using the Portsmouth Yardstick Handicapping System.
- 17.3 One completed race shall constitute a regatta.

18 Safety

- 18.1 A boat that retires from a race shall notify a race committee boat before leaving the race area. In the event that is impossible, then immediately after arriving ashore the skipper shall notify a regatta representative.
- 18.2 A personal floatation device shall be worn, properly secured at all times while on the water, except for brief periods while removing or adding clothing. The organizing authority would like to remind competitors that US Sailings prescription to RRS 40 requires that boats ". . .carry life-saving equipment conforming to government regulations that apply in the racing area." Failure to follow this prescription is not protestable.
- 18.3 Boats shall check in by hailing their sail numbers to the race committee signal boat before the start of the first race each day (and the first race following any postponement ashore).
- 18.4 Before raising a mast, and always while sailing, check for and avoid low overhead electrical power lines.

18.5 Do not approach the OSYC pier from the south. The area is littered with hurricane debris from the pier to a line perpendicular to the beach marked by a vertical post in the sand.

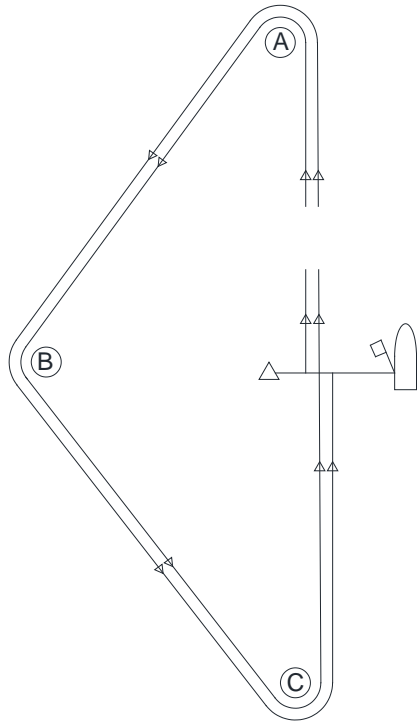
19 Prizes

19.1 Trophies will be awarded 1st – 3rd in each overall class. One design class trophies will be awarded 1st for 4 boats, 1st-2nd for 5-7 boats, and 1st-3rd for 8 boats or more, provided that the registration requirements of the Notice of Race have been met.

20 Disclaimer of Liability

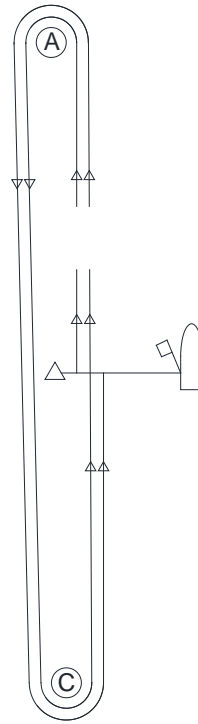
Competitors participate in the regatta entirely at their own risk: See RRS 4, Decision to Race. Neither the organizing authority nor the race committee will accept any liability for material damage or personal injury or death sustained in conjunction with, prior to, during, or after the regatta.

Attachment A



Triangle

Course T1: Start-A-B-C-Finish
Course T2: Start-A-B-C-A-B-C-Finish



Windward/Leeward

Course W1: Start-A-C-Finish
Course W2: Start-A-C-A-C-Finish