



# 2017 AYC Annual Junior Regatta July 6, 2017

Organizing Authority: Annapolis Yacht Club  
Annapolis, Maryland, USA  
Event Website:

<http://www.annapolisyc.com/racing/regattas>



## SAILING INSTRUCTIONS

*The notation '[DP]' in a rule in the sailing instructions (SIs) or notice of race (NoR) means that the penalty for a breach of that rule may, at the discretion of the protest committee, be less than disqualification. The notation '[NP]' in a rule of the SIs or NoR means that a boat may not protest another boat for breaking that rule. This changes RRS 60.1(a).*

### 1 RULES

- 1.1 The regatta will be governed by the rules as defined in The Racing Rules of Sailing (RRS).
- 1.2 [DP] RRS 40 is changed to require all competitors and coaches to wear USCG approved Type III Personal Floatation Devices (PFDs) at all times while afloat, except for brief periods while changing or adjusting clothing or personal equipment.

### 2 COMMUNICATIONS WITH COMPETITORS

- 2.1 Notices to competitors will be posted on the official notice board at:  
<http://www.annapolisyc.com/default.aspx?p=.NETEventView&ID=3768713&ssid=307802> or
- 2.2 On the water, the race committee intends to monitor and communicate with coaches and support boats via VHF radio on channel 72.

### 3 CHANGES TO SAILING INSTRUCTIONS

- 3.1 Any change to the SIs will be posted no later than 2 hours before the first scheduled warning signal on the day it will take effect, except that any change to the schedule of races will be posted by 2000 on the day before it will take effect.

### 4 SIGNALS MADE ASHORE

- 4.1 Signals flown ashore will be flown from the flagpole at the AYC Junior Sailing Center.
- 4.2 When flag AP is displayed ashore, '1 minute' is replaced with 'not less than 60 minutes' in the race signal AP.

### 5 SCHEDULE OF RACES

- 5.1 Onsite registration will be available 0830-1000 on July 6.
- 5.2 A competitor's meeting will be held at 1000.
- 5.3 The warning signal for the first race of the regatta is scheduled for 1130.
- 5.4 A total of 5 races are scheduled.
- 5.5 No warning signal will be made after 1600.

### 6 OPTIMIST GREEN INFORMATION

- 6.1 The Optimist Green fleet will race in Area Green as shown on SI Attachment 1.
- 6.2 The course is shown in SI Attachment 2.
- 6.3 All marks will be orange or white balls.
- 6.4 The Start
  - (a) The start will be according to RRS/US Appendix S (Sound Signal Starting System). Starting penalties described in RRS 30 will be invoked by flying the appropriate flag prior to the warning signal. This changes RRS 26.
  - (b) The starting line will be between the staff or halyard with an orange flag displayed on the race committee signal vessel and the course side of the start/finish mark.
  - (c) A boat that does not start within 10 minutes after her starting signal will be scored Did Not Start without a hearing. This changes RRS A4 and A5.
- 6.5 The finishing line will be between a staff or halyard displaying an orange flag on the race committee finishing vessel and the course side of the start/finish mark.

### 7 CLUB 420, LASER, LASER RADIAL, OPTIMIST RED, WHITE, and BLUE INFORMATION

- 7.1 The class flags are:
 

Class	Class flag
C420	Green flag with the 420 insignia
Laser	Solid green flag
Laser Radial	Solid yellow flag
Optimist Red, White, Blue	White flag with the Optimist insignia
- 7.2 Racing Area
  - (a) SI Attachment 1 shows the location of the racing areas.
  - (b) The C420, Laser, and Laser Radial classes will race in Area A.

- (c) The Optimist Red, White, and Blue fleets will race in Area B.
- 7.3 Courses**
- (a) The courses are shown in SI Attachment 3.
- (b) No later than the warning signal, the race committee signal vessel will display the course to be sailed, the approximate distance between the leeward and windward marks, and the approximate compass bearing of the first leg of the course.
- (c) If the race committee signal vessel displays flag C before the warning signal, accompanied by a series of repetitive sounds, the first mark of the course is to be a change mark.
- 7.4 Marks**
- (a) For Area A: The starting marks, finishing marks, and mark 1a will be lime green cylinders. All other marks of the course will be orange cylinders. New marks used in accordance with SI 9 will be orange cylinders with a dark colored band.
- (b) For Area B: The starting marks, finishing marks, and mark 1a will be orange balls. All other marks of the course will be yellow cylinders. New marks used in accordance with SI 9 will be a yellow cylinder with a dark colored band.
- (c) A race committee starting or finishing vessel may set a stand-off buoy. When present, this stand-off buoy, the line attaching it to the race committee vessel, and the race committee vessel are all part of the starting or finishing mark.
- 7.5 Start**
- (a) For Areas A and B, the start will be according to RRS 26. The race committee will announce the starting order of the classes by VHF radio and loud hailer.
- (b) The starting line will be between the staff or halyard with an orange flag displayed on the race committee signal vessel and either the course side of the starting mark, or the staff with an orange flag displayed on the race committee pin-end vessel.
- (c) [DP] Boats whose warning signal has not been made shall avoid the starting area during the starting sequence for other races.
- (d) A boat that does not start within 10 minutes after her starting signal will be scored Did Not Start without a hearing. This changes RRS A4 and A5.
- 7.6 Finish** - the finishing line will be between a staff or halyard displaying a blue flag on the race committee finishing vessel and the course side of the finishing mark.
- 8 RECALLS**
- The race committee will announce by loud hailer boats identified as OCS, UFD, or BFD. Failure to hear or receive such broadcasts, the timeliness of broadcast or the order in which boats are announced, will not be grounds for redress. This changes RRS 62.1(a).
- 9 CHANGE OF THE NEXT LEG OF THE COURSE**
- 9.1** To change the next leg of the course, the race committee will lay a new mark (or move the finishing line) and remove the original mark as soon as practicable. When in a subsequent change, a new mark is replaced, it will be replaced by an original mark.
- 9.2** After a start, if flag C is flown over flag Q, then the course change applies only to boats beginning their final leg to the finish. This changes RRS 33 (Changing the Position of the Next Mark) and RRS Race Signals.
- 10 PENALTY SYSTEM**
- Penalties while racing: RRS 44.1, One-Turn and Two-Turns Penalties will apply.
- 11 TIME LIMITS**
- 11.1** In each class, the time limit is 90 minutes.
- 11.2** Boats failing to finish within 15 minutes after the first boat in her class sails the course and finishes, and not subsequently retiring, penalized or given redress, will be scored Time Limit Expired (TLE) without a hearing. This changes RRS 35, A4 and A5.
- 12 PROTESTS, REQUESTS FOR REDRESS, SCORING INQUIRIES**
- 12.1** Protest forms are available at [annapolisyc.org/racing/protest](http://annapolisyc.org/racing/protest) and at the race office, located at the AYC Junior Sailing Center. Protests, requests for redress or reopening shall be delivered there within the protest time limit. These may alternatively be delivered by email to [raceoffice@annapolisyc.org](mailto:raceoffice@annapolisyc.org).
- 12.2** Scoring inquiry forms are available at [annapolisyc.org/racing/protest](http://annapolisyc.org/racing/protest) and at the race office. They can be delivered there or by email to [raceoffice@annapolisyc.org](mailto:raceoffice@annapolisyc.org). When the race committee receives a scoring inquiry form, it will review its records and respond as soon as practicable.
- 12.3** The protest time limit is 60 minutes after the race committee signal vessels docks. The race committee will post the protest time limit.
- 12.4** The race committee will post a list of race committee scoring actions no later than the protest time limit.
- 12.5** Notices of protests by the race committee or protest committee will be posted to inform boats under RRS 61.1(b).
- 12.6** As soon as practicable after the protest time limit, the protest committee will post a notice to inform competitors of the schedule and location of hearings in which they are parties or named as

witnesses. Hearings will be held at AYC Junior Sailing Center.

### **13 SCORING**

- 13.1 RRS Appendix A4, Low Point System, will apply.
- 13.2 One race is required to be completed to constitute a series.
- 13.3 A boat's series score will be the total of her race scores.
- 13.4 Boats to be scored TLE will be scored points equal to the number of boats finishing within the finishing window plus two points by the race committee without a hearing but no worse than the number of entries. This changes RRS A4.2 and A5.

### **14 SAFETY REGULATIONS**

- 14.1 [DP] Each boat shall check in before the warning of their first race sailed each day by sailing past the stern of the race committee signal boat and hailing her sail number until acknowledged.

- 14.2 [DP] A boat that retires from a race, or leaves the racing area between races, shall notify the race committee at the first reasonable opportunity.

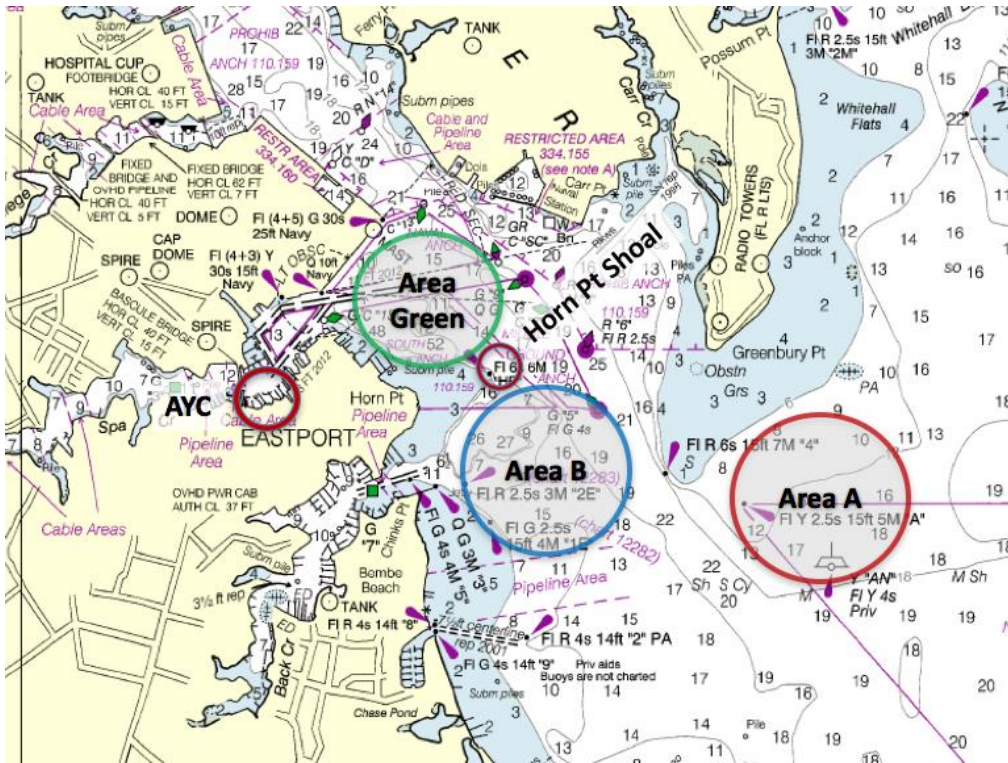
### **15 PRIZES**

- 15.1 Prizes will be given to first, second and third places in the C420, Laser, Laser Radial, all Optimist classes.
- 15.2 Participation awards will be given to all competitors in the Optimist Green fleet.
- 15.3 A prize will be given to the top overall female competitor in the Optimist Red/White/Blue fleet.
- 15.4 Additional prizes may be awarded at the discretion of the organizing authority.

### **16 DISCLAIMER OF LIABILITY**

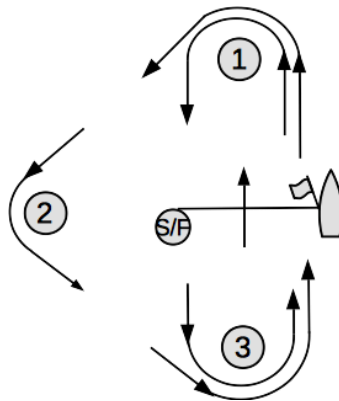
Competitors participate in the regatta entirely at their own risk. See RRS 4, Decision to Race. The organizing authority will not accept any liability for material damage or personal injury or death sustained in conjunction with or prior to, during, or after the regatta.

## SI ATTACHMENT 1 - RACE AREA



## SI ATTACHMENT 2 - COURSE FOR OPTIMIST GREEN

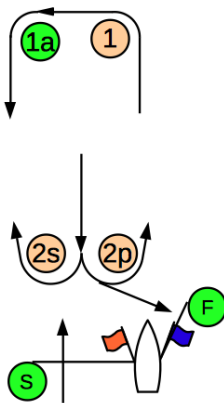
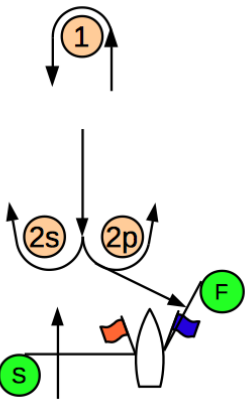
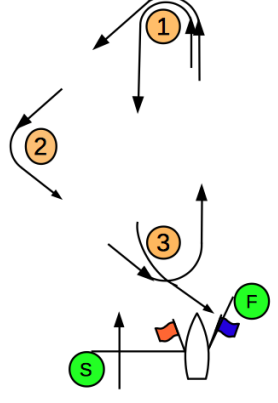
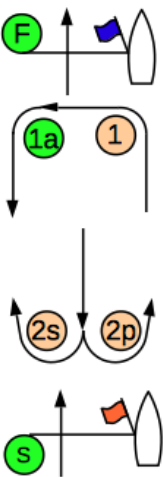
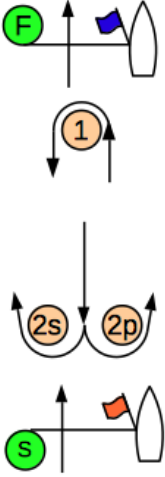
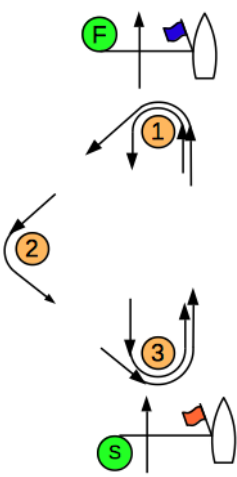
All marks to be rounded to port.



**Mark rounding order: Start-1-2-3-Finish**

## SI ATTACHMENT 3 - COURSES FOR RACE AREAS A & B

In the below table, the course designation is followed by the mark rounding order for that course. All marks except 2S are to be rounded to port. If the race committee displays "NO GATE" near the course designation, then mark 2S will not be set. The color or shape of the marks are described in SI 7.4.

<div style="font-size: 2em; font-weight: bold; margin-bottom: 10px;">LA</div>  <p style="margin-top: 20px;">LA2: Start-1-1a-2s/2p- 1-1a-2p-Finish</p> <p>LA3: Start-1-1a-2s/2p- 1-1a-2s/2p- 1-1a-2p-Finish</p>	<div style="font-size: 2em; font-weight: bold; margin-bottom: 10px;">L</div>  <p style="margin-top: 20px;">L2: Start-1-2s/2p- 1-2p-Finish</p> <p>L3: Start-1-2s/2p- 1-2s/2p- 1-2p-Finish</p>	<div style="font-size: 2em; font-weight: bold; margin-bottom: 10px;">TL</div>  <p style="margin-top: 20px;">TL2: Start-1-2-3- 1-2p-Finish</p> <p>TL3: Start-1-2-3- 1-3- 1-2p-Finish</p>
<div style="font-size: 2em; font-weight: bold; margin-bottom: 10px;">WA</div>  <hr style="border: 0.5px solid black; margin: 10px 0;"/> <p>WA2: Start-1-1a-2s/2p- Finish</p> <p>WA3: Start-1-1a-2s/2p- 1-1a-2s/2p- Finish</p> <p>WA4: Start-1-1a-2s/2p- 1-1a-2s/2p- 1-1a-2s/2p- Finish</p>	<div style="font-size: 2em; font-weight: bold; margin-bottom: 10px;">W</div>  <hr style="border: 0.5px solid black; margin: 10px 0;"/> <p>W2: Start-1-2s/2p- Finish</p> <p>W3: Start-1-2s/2p- 1-2s/2p- Finish</p> <p>W4: Start-1-2s/2p- 1-2s/2p- 1-2s/2p- Finish</p>	<div style="font-size: 2em; font-weight: bold; margin-bottom: 10px;">TW</div>  <hr style="border: 0.5px solid black; margin: 10px 0;"/> <p>TW2: Start-1-2-3- Finish</p> <p>TW3: Start-1-2-3- 1-3- Finish</p>