



Bellport Bay Yacht Club

GSBYRA Queen of the Bay Race

Sept 6, 2020



SAILING INSTRUCTIONS

Posted 8/28/20

1. RULES

The race will be governed by the Racing Rules of Sailing, 2017-2020, the prescriptions of the United States Sailing Association, class rules, the rules and regulations of the Queen of the Bay, and by these Sailing Instructions.

2. DISCLAIMER OF LIABILITY

Competitors participate in the regatta entirely at their own risk. See Rule 4, Decision to Race. The Bellport Bay Yacht Club, Officers, and Members will not accept any liability for material damage or personal injury or death sustained in conjunction with or prior to, during, or after the regatta.

3. NOTICE TO COMPETITORS & CHANGES TO THE SAILING INSTRUCTIONS

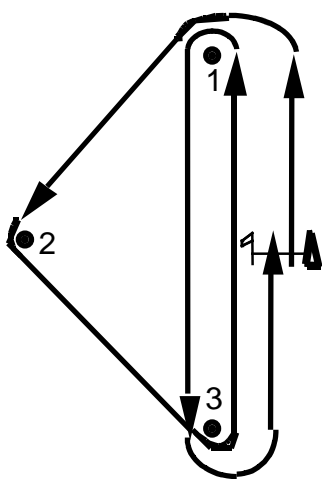
4.1 Notices will be announced on the water from the Race Committee Boat.

4.2 Signals made ashore will be displayed on the flagpole in front of the club.

4. SCHEDULE OF RACE: 1100 hours Sunday, September 6, 2020 at Bellport Bay Yacht Club.

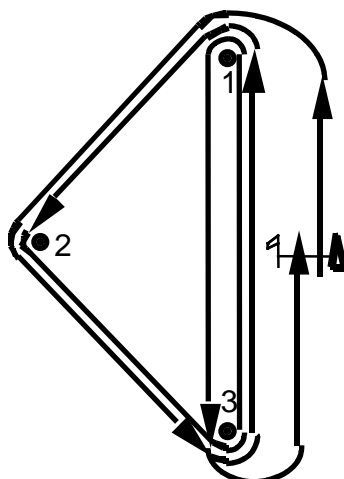
5. COURSES

The diagrams below show the courses, the order in which marks are to be rounded or passed, and the side on which each mark is to be left. Courses will be designated by a letter A, or B or C.



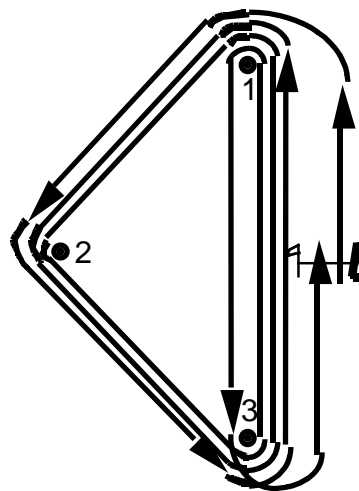
Course A

Start-1-2-3-1-3-finish



Course B

Start-1-2-3-1-2-3-1-3-finish



Course C

Start-1-2-3-1-2-3-1-2-3-1-3-finish

6. MARKS will be large orange inflatable cylinders.

7. VISUAL SIGNALS AFLOAT WILL BE MADE ON THE RC BOAT, SIGNALS MADE ASHORE WILL BE DISPLAYED ON THE FLAGPOLE IN FRONT OF THE CLUB

7.1 Code flag "AP" (RED AND WHITE VERTICAL STRIPES) with 2 sound signals means **POSTPONEMENT**. One sound signal, signals the lowering of "AP", and the warning signal will be made 1 minute after "AP" is lowered.

7.2 Code flag "N" (BLUE AND WHITE CHECKS) with 3 sound signals means **ABANDON RACE**. One sound signal, signals the lowering of "N", and the warning signal will be made 1 minute after "N" is lowered.

- 7.3 Code flag "N" over "H" (BLUE AND WHITE CHECKS OVER RED AND WHITE VERTICAL BAND) with 3 sound signals means **ABANDON RACE AND HEAD FOR SHORE**. Check official bulletin board for rescheduling.
- 7.4 Code flag "Y" (RED AND YELLOW DIAGONAL STRIPES) means all competitors shall wear **LIFE JACKETS** while racing (rule 27.1).

8. START/FINISH

- 8.1 The start and finish line will be between a staff displaying an orange flag on the race committee boat at the starboard end and the course side of the orange inflatable cylinder at the port end starting mark.
- 8.2 After starting, boats may not cross the start and finish line in either direction except when finishing. This changes Rule 28.2. The penalty is disqualification, and the boat may not correct its error.
- 8.3 The race will be started in accordance with racing Rule 26, with all yachts starting together.

9. RECALLS

- 9.1 Code flag "X" (BLUE CROSS ON WHITE FIELD) with 1 sound signal means **INDIVIDUAL RECALL** for one or more yachts. The Committee will endeavor to notify each yacht recalled by hailing its number, but it is the responsibility of each yacht to make a proper start. "X" will be lowered when all yachts are clear.
- 9.2 Code flag "**First Substitute**" (BLUE AND YELLOW PENNANT) with 2 sound signals means **GENERAL RECALL**. "First Substitute" will be lowered with one sound signal, 1 minute before the new preparatory signal is made.

10. SHORTEN COURSE

Code flag "S" (BLUE SQUARE ON WHITE FIELD) with 2 sound signals means **SHORTEN COURSE**. The Committee may shorten course after the start by finishing the race at any rounding mark. The finish will be between the mark and a boat displaying the "S" flag.

11. WITHDRAWAL

A yacht shall make every effort to notify the Race Committee as soon as possible.

12. TIME LIMIT is 3 and 1/2 hours for all yachts to finish.

13. PROTEST

Protest shall be written on forms available from the race committee and lodged there within Protest Time which will begin when the race committee boat docks and end 1 hour later. Protest notices will be posted within 30 minutes of the protest time limit to inform competitors where and when there is a hearing in which they are parties to a protest or named as witnesses.

14. SCORING is based on the following:

- 14.1 The first eligible conventional yacht to finish with the lowest elapsed time will receive the Growthage Bowl.
- 14.2 The first eligible yacht, regardless of hull type or rig, to finish with the lowest elapsed time will receive the Everitt Trophy.
- 14.3 The first eligible conventional yacht to finish with the lowest corrected time based on current GSBYRA Portsmouth numbers will receive the Patchogue Advance Trophy.
- 14.4 The first eligible multi-hull yacht to finish with the lowest corrected time based on current GSBYRA Portsmouth numbers will receive the Gallina Trophy.
- 14.5 The official GSBYRA season scorer verifies eligibility of all competitors.

15. PRIZES

- 15.1 Prizes will be awarded in the Fall with possibly a Zoom meeting substituted for the Fall Awards Dinner.
- 15.2 Winners receive a keeper trophy and have their names engraved on the four Perpetual Trophies, which are on display at the Long Island Maritime Museum during the year.