

Lewes Yacht Club Junior Regatta
Wednesday August 11, 2021
Lewes Yacht Club, 2701 Cedar Street, Lewes, DE
SAILING INSTRUCTIONS

1. Rules

The regatta will be governed by the rules as defined in the current Racing Rules of Sailing. The organizing authority is the Lewes Yacht Club.

2. Eligibility

Skippers in classes other than Opti must not have reached their 19th birthday in current year. Optimist class age rules apply, so Opti sailors must not have reached their 16th Birthday in current year. The Red, White and Blue Fleet assignments will be based on the competitor's age on the day of the Regatta.

3. Notices to Competitors

Notices to Competitors will be posted on the official regatta notice board located at the entrance to the Regatta Room.

4. Changes to Sailing Instructions

Any changes in the sailing instructions will be posted before 1000 hours on the day it will take effect, except that any change in the schedule of races will be posted by 2000 hours on the day before it will take effect.

5. Signals Made Ashore

5.1 Signals made ashore will be displayed from a staff located on the LYC upper deck.

5.2 When flag AP is displayed ashore, "1 minute" is replaced with "not less than 30 minutes" in race signal AP.

6. Schedule of Races

6.1 A competitors meeting will be held in the LYC first floor Regatta Room at 930 on Wednesday August 11, 2021.

6.2 The scheduled time of the warning signal for the first race on all courses is 1100.

6.3 Subsequent races will be held back to back.

6.4 No race will be started after 1500

7. Class Flags

Club 420-Blue "420" on white

Laser Radial-Starburst on red

Opti red/white/blue-Opti symbol on white

Opti Green-Opti symbol on green

The racing area will be the Delaware Bay.

8. Check In

All contestants must check in by sailing past the stern of the RC Signal Boat prior to their first race on their course.

9. The Course

9.1 The diagrams in Addendum A show the courses, including the order in which the marks are to be passed, and the side on which each mark is to be passed. There *may* be an offset used at the windward mark.

9.2 The course will be displayed by a visual signal on board the race committee boat.

9.3 Course changes: On the 420 course change marks will be red. On the RWB course change marks will be yellow.

10. Marks

420/Laser Radial Course -yellow buoys

Opti Red/White/Blue-red buoys

Opti Green-green buoys

11. The Start

11.1 The Opti Green will be started using the audible-signal racing system as described in RRS appendix U3. All other fleets will be started using RRS 26. If the Club 420 and Laser fleets are to be started together, the RC will display both class flags on a single staff as the warning signal.

11.2 A boat that does not start within 10 minutes after her starting signal shall be scored DNS/DNC without a hearing. (Except Opti Green fleet). This changes RRS A4 and A5.

11.3 The starting line will be between a staff displaying an orange flag on the Race Committee boat and a pin end starting mark or an orange flag on a pin end boat.

11.4 A series of short sound signals may precede the warning signal of each race. These are not timed signals.

11.5 RC starting line boats may use a stand off buoy.

12. Protests and requests for redress

12.1 A competitor shall not communicate with a coach, parent or other support person before reporting the intention to protest to the protest committee.

12.2 Protests shall be in writing, on forms available in the regatta room within the protest time limit.

12.3 Protest time limit is 15 minutes after the race committee boat for the protesting boats' course has docked.

12.4 Protest notices will be posted in the regatta room within 15 minutes of the protest time limit. This will inform competitors where and when there is an arbitration hearing.

13. The Finish

13.1 The finishing line will be between a staff displaying an **orange flag** on the Race Committee boat and the course side of the opposite end finishing mark. This changes Appendix S in RRS. **The finish line is open.**

14. Safety

14.1 Competitors are required to USCG approved PFDs at all times while launching boats or on the water.

14.2 All boats are required to check in with the race committee signal boat before the start of their first race of the day.

14.3 A competitor leaving the racing area before racing is completed is required to notify a race committee or safety boat as soon as practicable.

15. Scoring

15.1 The Low Point scoring system will apply, so that each boat's series score will be the total of her race scores, with her worst score discarded if four or more races have been completed. Races scored DNE cannot be excluded.

15.2 One race will constitute a regatta

16 Spectators and Coaches

16.1 Coaches, safety and spectator boats shall stay well clear of any racing boat, mark or lay line, as well as race committee boats, except as provided in SI 16.3

16.2 Radio channels: Spectator, coach and safety boats should monitor:

- 420/Laser Course: VHF channel 78
- Opti R/W/B: VHF channel 72
- Opti Green: VHF channel 68

16.3 Coaching on the Opti Green course is requested, except that it is limited to the bottom half of the fleet.

17 Disposal of Trash

Boats observed purposefully discharging trash into the water will be disqualified from all races sailed.

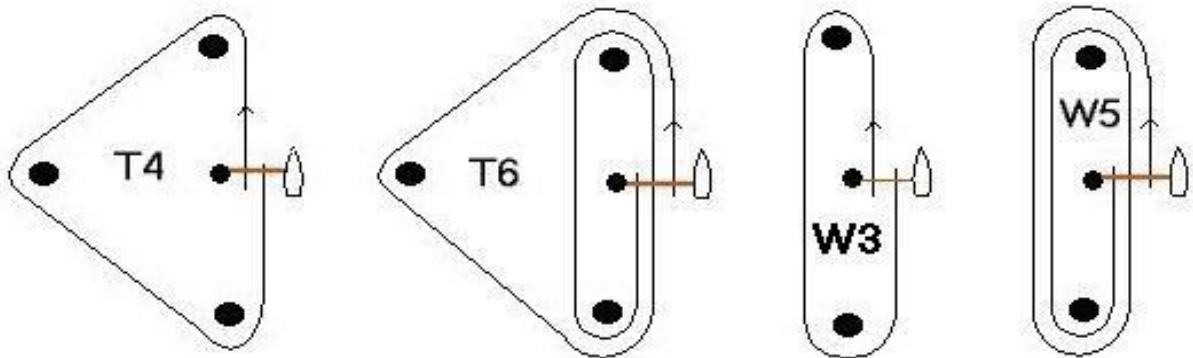
18. Disclaimer of Liability

Competitors participate in the regatta entirely at their own risk. See RRS 4, Decision to Race. The organizing authority or any other party involved in the organization of the regatta will not accept any responsibility or liability for material damage or personal injury or death sustain in conjunction with or prior to, during, or after the regatta.

19. Time limits

The time limit for a race on all courses is 45 minutes. If the first boat finishes within the race time limit all other boats in that class not finishing within 10 minutes will be scored DNF without a hearing.

Addendum A COURSE DIAGRAMS: Be sure that you sail the correct number of legs. Note that the finish line is open, see 13.1.



Sailing Order: S-1-2-3-F

S-1-2-3-1-3-F

S-1-3-F

S-1-3-1-3-F

S=Start F=Finish Courses will be designated "T4" "T6" "W3" or "W5" by RC.

Tides in the racing area:

Times are local DST. Tidal current is *significant* in the racing area especially the ebb. The ebb tide flows from the Roosevelt Inlet towards the large rock breakwaters.

Wednesday August 11, 2021 1127 High 1718 Low