



**Oxford Regatta
Stars & Shields
August 14-15, 2021
Tred Avon Yacht Club/Chesapeake Bay Yacht Club
Oxford, MD**

SAILING INSTRUCTIONS

1 RULES

- 1.1 The regatta will be governed by the rules as defined in *The Racing Rules of Sailing* (RRS).
- 1.2 In the event of a conflict between the *Notice of Race* and the *Sailing Instructions*, the *Sailing Instructions* take precedence. This changes RRS 63.7.

2 CHANGES TO SAILING INSTRUCTIONS

- 2.1 Any change to the Sailing Instructions will be posted no later than 0900 each race day.
- 2.2 On the water, the Race Committee (RC) shall communicate any changes made to each boat prior to the warning signal.

3 NOTICES TO COMPETITORS

- 3.1 Notices to competitors will be posted on the official bulletin board located in the first floor lobby of the Tred Avon Yacht Club (TAYC) by 0900 each race day.
- 3.2 On the water, the Race Committee intends to monitor and communicate with competitors on VHF channel 68.

4 SIGNALS MADE ASHORE

- 4.1 Signals made ashore will be displayed from the signal mast on TAYC's upper deck.
- 4.2 When flag "AP" is displayed ashore, "1 minute" is replaced with "not less than 60 minutes" in Race Signal AP.

5 SCHEDULE OF RACES

- 5.1 A competitors meeting will be held on the first floor of the TAYC clubhouse at 0900 on Saturday, Aug 14.
- 5.2 The warning signal for the first race will be at 1055 on Saturday, Aug 14, and 1025 on Sunday, Aug 15.
- 5.3 The Race Committee will start as many races as time and conditions allow. Subsequent races may be started soon after the last boat finishes the prior race.
- 5.4 No warning signal will be made after 1600 on Saturday and 1400 on Sunday.
- 5.5 Trophy presentation at the TAYC clubhouse at 1630 on Sunday. Coat & Tie requested.

6 CLASS FLAGS

- 6.1 The Race Committee signal boat shall display the class flag of the next class to start at its warning signal.

7 RACING AREA

- 7.1 The racing area will be in the Choptank River south or southwest of Choptank Light near designated area Charlie. PRO will confirm racing area location at competitors' meeting.

8 THE COURSES

- 8.1 The attached diagrams with identification numbers indicate the layout of courses that may be sailed.
- 8.2 The course identification number will be displayed from the Race Committee signal boat no later than the warning signal:
 - 0 – triangle-windward-leeward-windward (Olympic)
 - 1 – triangle-windward-leeward (Modified Gold Cup)
 - 3 – windward-leeward-windward-leeward-windward
 - 4 – windward-leeward-windward-leeward
- 8.3 An offset mark may be set for either course 3 or 4.
- 8.4 Courses may be shortened by the Race Committee at any mark.

9 MARKS

- 9.1 Marks for the course will be Yellow Balls. The offset mark will be an Orange Ball. The Starting Pin will be an Orange Cylinder and the Finish Pin will be an Orange Ball.
- 9.2 A race committee starting or finishing boat may set a stand-off buoy, which buoy, the line attaching it to the Race Committee boat and the Race Committee boat are all part of the starting or finishing mark.

10 THE START

- 10.1 Races will be started using RRS 26. A series of short attention sounds may be used to alert competitors of the Race Committee's intention to sound a warning signal in approximately 1 minute. Attention signals will not be sounded for the second class warning even if that warning is delayed from the first class's starting signal.
- 10.2 The order of the first start and class flags are as follows:

1	Star	White flag with Star insignia
2	Shields	White flag with Shields insignia
- 10.3 The starting line will be between an orange flag on the Race Committee signal boat and the course side of the Starting Pinmark to port of the signal boat.
- 10.4 A boat crossing the starting line later than 5 minutes after her starting signal will be scored "DNS" without a hearing. This changes RRS A4 and A5.
- 10.5 The Race Committee will attempt to hail OCS boats on VHF channel 68, but the failure to hail, the hail of some but not all OCS boats, the order in which hailed or untimely hailing of boats shall not be grounds for redress. This changes RRS 62.1(a).
- 10.6 After a general recall, a new starting sequence will begin one minute after the lowering of code flag "First Substitute" with one sound.

11 CHANGE OF THE NEXT LEG OF THE COURSE

- 11.1 A change of the next leg of the course will be accomplished in accordance with RRS 33.

12 THE FINISH

- 12.1 The finishing line will be between a blue flag on a Race Committee boat and the course side of a nearby Finishing Pin. Refer to attached course diagrams regarding which side of the Race Committee boat the mark will be positioned.

13 TIME LIMITS

- 13.1 The time limit for the first boat to finish will be two hours.
- 13.2 Boats not finished within 30 minutes of the first boat will be scored DNF.

14 PROTEST AND REQUESTS FOR REDRESS

- 14.1 In addition to satisfying the requirements of RRS 61.1a, the protesting yacht must notify the Race Committee signal boat at the finish line and receive acknowledgement.

- 14.2 A written protest or request for redress must be filed with the Race Committee within one hour after the Race Committee signal boat returns to the dock. Docking time will be posted on the official bulletin board. Protest forms are available in the clubhouse.
- 14.3 The time and location of protest hearings will be posted as soon as practicable after the protest time limit on the official bulletin board.

15 SCORING

- 15.1 RRS Appendix A4, Low Point System, will apply.
- 15.2 One race must be completed to constitute the series.
- 15.3 When fewer than 5 races have been completed, a boat's series score is the total of her race scores.
- 15.4 When 5 or more races have been completed, a boat's series score is the total of her race scores excluding her worst score.

16 SAFETY REGULATIONS

- 16.1 A boat that retires or leaves the racing area between races shall notify the Race Committee at the first reasonable opportunity by hail or on VHF channel 68.
- 16.2 Competitors are strongly encouraged to wear a USCG approved PFD while racing.

17 PRIZES

- 17.1 Trophies will be awarded as stated in the NOR.
- 17.2 Perpetual trophies may also be awarded for the Star class:
 - Sir Thomas Lipton Trophy: Winning skipper and crew of Oxford Regatta
 - J. Graham Johnson Memorial Cup: Winning novice skipper
 - CBYC Havana Cup: Winning skipper of the first race
 - TAYC Havana Cup: Second place skipper of the first race
 - J. Graham Johnson Memorial Trophy: Winning skipper of the second and third races
 - The Captain's Cup: Top TAYC skipper at Oxford Regatta
- 17.3 The Robert W. Downes II Memorial Trophy may be awarded to the winning Shields skipper and crew in the combined races.

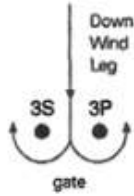
18 DISCLAIMER OF LIABILITY

- 18.1 Competitors participate in the regatta entirely at their own risk. See RRS 3, Decision to Race. The organizing authority will not accept any liability for material damage or personal injury or death sustained in conjunction with or prior to, during, or after the regatta.

COURSE DIAGRAMS

Star Class Courses (STCR 34.3 and 34.4)

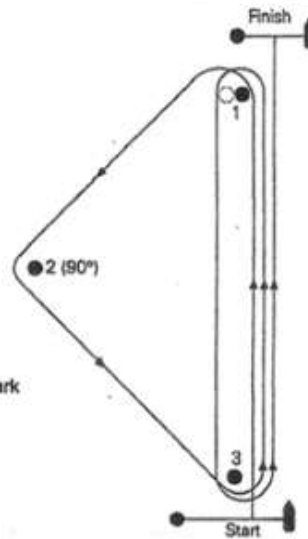
In case of small regattas the starting line may be set up at mark 3 and the finishing line at mark 1 or mark 3.



Course "0"

Start
1
2
3
1
3 (or gate 3A - 3B)
Finish (upwind)

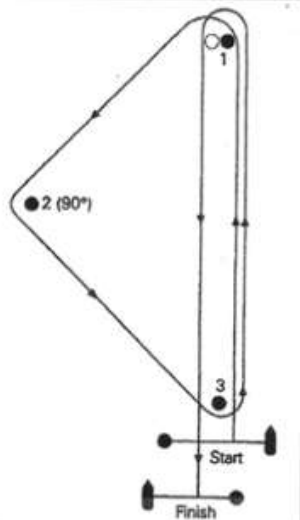
○ = optional offset mark



Course "1"

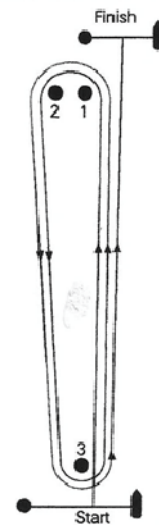
Start
1
2
3
1
(or 1 + offset mark)
Finish (downwind)

○ = optional offset mark



Course "3"

Start
1
2
3 (or gate 3A-3B)
1
2
3 (or gate 3A-3B)
Finish (upwind)



Course "4"

Start
1
2
3 (or gate 3A - 3B)
1
2
Finish (downwind)

