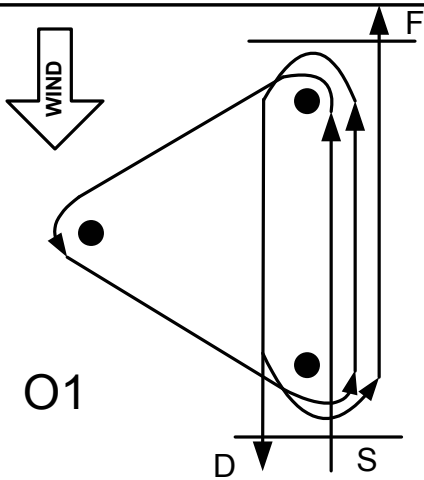
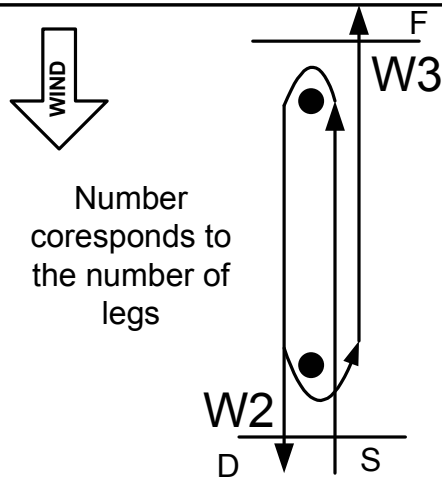


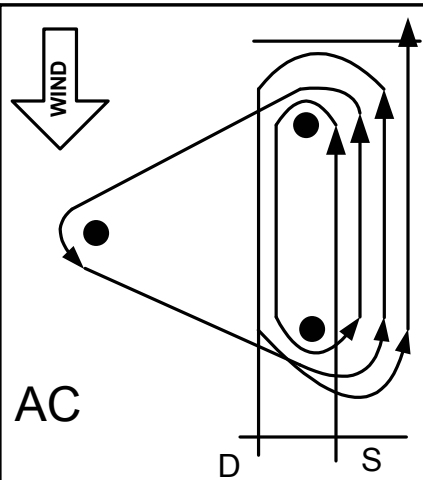
# GSC COURSE ILLUSTRATION



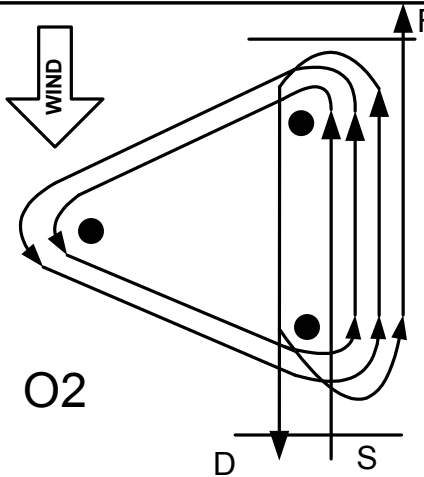
O1



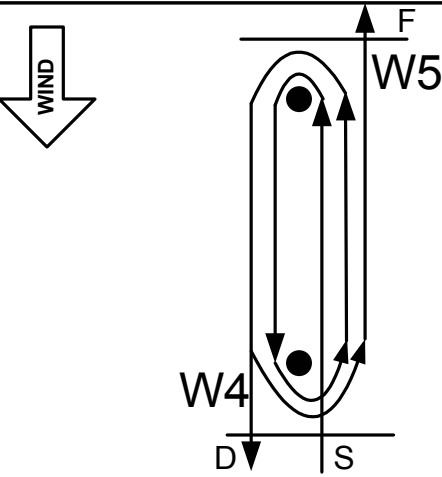
Number corresponds to the number of legs



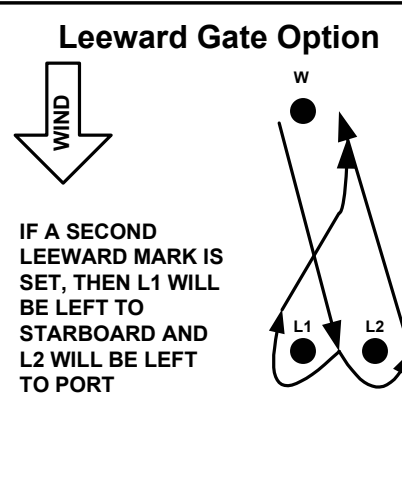
AC



O2

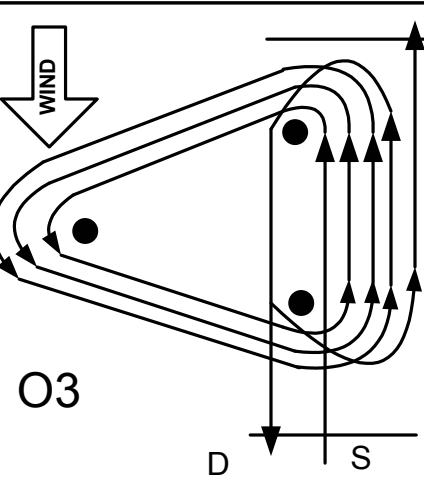


W4

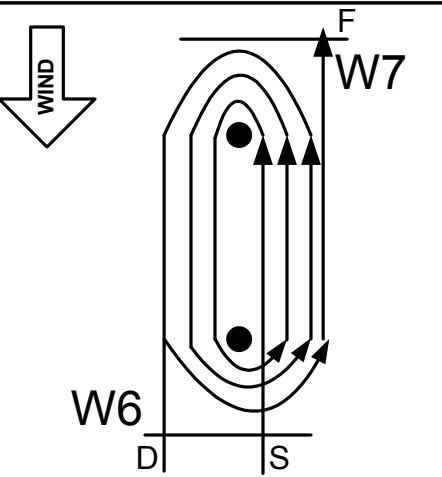


Leeward Gate Option

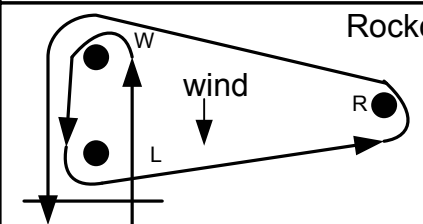
IF A SECOND LEEWARD MARK IS SET, THEN L1 WILL BE LEFT TO STARBOARD AND L2 WILL BE LEFT TO PORT



O3

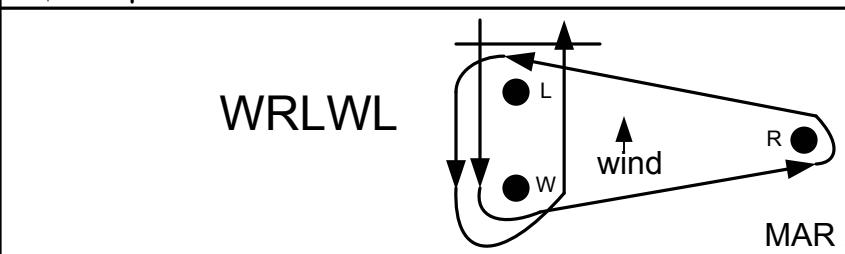


W6



Rockcrusher Course

WLRWL



WRLWL

COURSE BOARD			
PORT	1	2	W6
165	3	4	W4
	5	6	WLRWL
GOOD LUCK!			
BE CAREFUL!			

**LEFT SIDE**  
MARK ROUNDING: EITHER PORT OR STBD IS DISPLAYED TO SHOW REQUIRED MARK ROUNDING

COMPASS HEADING TO THE WEATHER MARK SHOWN BENEATH MARK ROUNDING LINE TO THE NEAREST 5 DEGREES.

**RIGHT SIDE**  
COURSES FOR THE DESIGNATED FLEETS: FLEETS BY NUMBER AND THEIR DESIGNATED COURSE ARE DISPLAYED. THE COURSE APPLIES TO ALL STARTS LISTED TO THE LEFT.