



Neuse Yacht Racing Association
Winter Series 2023-24
Including Halloween Regatta

SAILING INSTRUCTIONS

The Neuse River Yacht Racing Association (NYRA) is the Organizing Authority for this series.
The series is hosted by Blackbeard Sailing Club (BSC)

Section A applies to all competitors

Section B applies to Spinnaker and Non-Spinnaker classes

Section C applies to the Navigator Fleet

SECTION A

1 RULES

- 1.1 The Regatta will be governed by the Racing Rules of Sailing and the prescriptions of US Sailing, except as altered by the Notice of Regatta series and/or these Sailing Instructions.
- 1.2 All boats shall comply with N.C. Wildlife Commission and US Coast Guard safety regulations.
- 1.3 RRS Appendix T – Arbitration applies
- 1.4 RRS Appendix V, section V1 applies
- 1.5 Navigator Fleet eligibility – see Section C

2 NOTICES TO COMPETITORS

All notices to competitors will be posted on the official bulletin board on Regatta Network.

3 CHANGES TO SAILING INSTRUCTIONS

- 3.1 Changes to sailing instructions, if any, will be posted on the official bulletin board.
- 3.2 Verbal changes may be made on the water. They will be communicated by radio on channel 78A and shall be acknowledged by each vessel.

4 RADIO COMMUNICATIONS

- 4.1 The R/C will monitor and attempt to broadcast on **channel 78A**.
- 4.2 Failure of the R/C to make announcements, the order of announcements including OCS calls, or the failure of the competitor to hear the announcements shall not be grounds for redress.

5 CLASSES

- 5.1 Anticipated fleets are Spinnaker, Non-Spinnaker, and Navigator. See appropriate Section .
- 5.2 With sufficient entries, the Spinnaker and Non-spinnaker Fleets may be divided into classes as described in NoR 8.5.
- 5.3 There will be no class splits in the Navigator Fleet.

6 SCHEDULE

0900 Competitors' meeting at Blackbeard Sailing Club – Applies to Halloween Regatta only.
1055 First signal for first race of the day. Additional races may follow
1700+ Social gatherings – See NoR for details.

7 THE COURSES

- 7.1 Race courses will be located on the Neuse River southerly of Duck Creek and in the general vicinity of Broad and Northwest Creeks.
- 7.2 For fleet course details, see Section B or C

- 8 MARKS**
For descriptions of marks, see Section B (Spin & Non-spin) or C (Navigator)
- 9 START**
For descriptions of the Start, see Section B (Spin & Non-spin) or C (Navigator)
- 10 FINISH**
For descriptions of the Finish, see Section B (Spin & Non-spin) or C (Navigator)
- 11 TIME LIMIT**
For descriptions of the Time Limit, see Section B (Spin & Non-spin) or C (Navigator)
- 12 Scoring**
For descriptions of Scoring, see Section B (Spin & Non-spin) or C (Navigator)
- 13 AWARDS**
 - 13.1 Awards for the Halloween Regatta will be presented at the social that evening.
 - 13.2 Awards for the series will be presented at the Commodore's Regatta Dinner in February.

SECTION B

This Section applies to the Spinnaker and Non-spinnaker Classes

- 7 COURSES**
 - 7.2 Courses will be Triangular and or Windward/ Leeward. See Course Diagram B
 - 7.3 Course marks, in the order they are to be rounded, will be displayed on a course board on the starboard side of the Signal Boat.
- 8 MARKS**
 - 8.1 The weather mark will be a 5' orange tetrahedron. The weather change mark will be a 5' yellow tetrahedron.
 - 8.2 The Leeward mark will be a 5' orange tetrahedron and may be set to leeward or to windward of the Signal Boat, dependent on course selection.
 - 8.3 In the event of a shortened course, the finish line will be between the staff flying an S flag on a race committee boat and the nearby mark of the course.
- 9 START**
 - 9.1 The start line will be between the staff flying an orange flag on the signal boat at the starboard end and the course side of an orange inflatable on the port end.
 - 9.2 Races will be started according to Rule 26 with class flags as follows:

Spinnaker	Red
Non-Spinnaker	White
- 10 FINISH**
 - 10.1 The Finish line will be between a staff flying a blue flag on the signal boat at one end and the course side of an orange inflatable on the other end, dependent on the course selection. See Course Exhibit B.
 - 10.2 Boats are to finish in the direction from the last turning mark. See Course Exhibit B.
 - 10.3 Flag "A" displayed, with no sound, as boats are finishing means 'No more racing today'

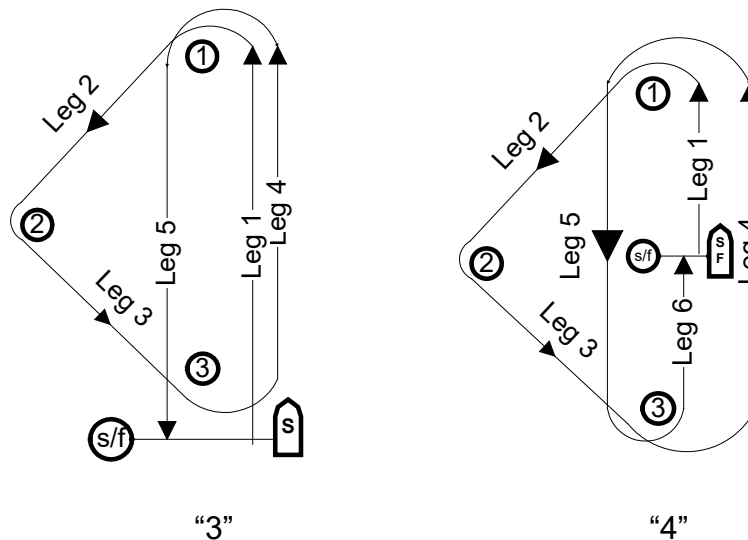
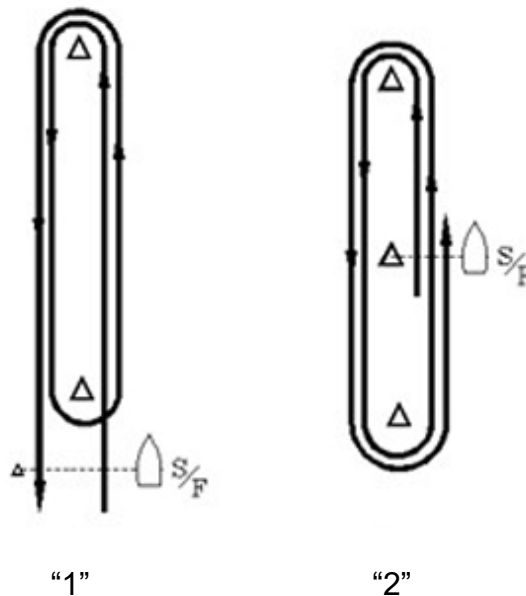
11 TIME LIMIT

11.1 Time limit for the first boat to sail the course and finish will be 75 minutes, other boats shall finish within a further 15 minutes or will be scored TLE with 2 points more than the last boat to finish within the limit.

12 SCORING

- 12.1 The Low Point System as described in Appendix A of the RRS will be used for scoring.
- 12.2 Appendix A2 is modified as follows: if fewer than 5 races have been completed all scores will be included; if 5 or more races are completed the worst score will be excluded; if 9 or more races are completed the worst 2 scores will be excluded.
- 12.3 Appendix A 5.3 will be used to score the series.
- 12.4 Corrected scores will be determined using time-on-time calculation.
- 12.5 The PHRF class splits for the Spinnaker and Non-spinnaker fleets may be as follows: A= \leq 120 ; B=123 $>$ \leq 195; and C= $>$ 195.
- 12.6 There will be no class splits in the Navigator Fleet
- 12.7 One completed race will constitute the series.

Course Diagram B



SECTION C

This Section applies to the Navigator Fleet

1 RULES

1.5 Navigator Fleet eligibility

To be eligible to race in this class all boats shall meet the following criteria:

- 1.5.1 No boats specifically designed for racing.
- 1.5.2 Only Dacron sails allowed. No spinnakers allowed
- 1.5.3 Powered winches are allowed
- 1.5.4 Two of the following additional requirements must be met:
 - a Pulpit mounted anchor or windlass
 - b Dodger or Bimini in place
 - c No sails less than five years old
 - d Bottom paint at least three years old.

7 COURSES

- 7.1 The Navigator Fleet will sail a distance race with a modified pursuit start.
- 7.2 Rating bands and start times will be posted to Regatta Network by 2000 the night before the race.
- 7.3 The course to be sailed will be selected from the Standard Pursuit Courses and will depend on forecast wind speed and direction. See attached.
- 7.4 The intended selection will be published on Regatta Network by 2000 night before the race.

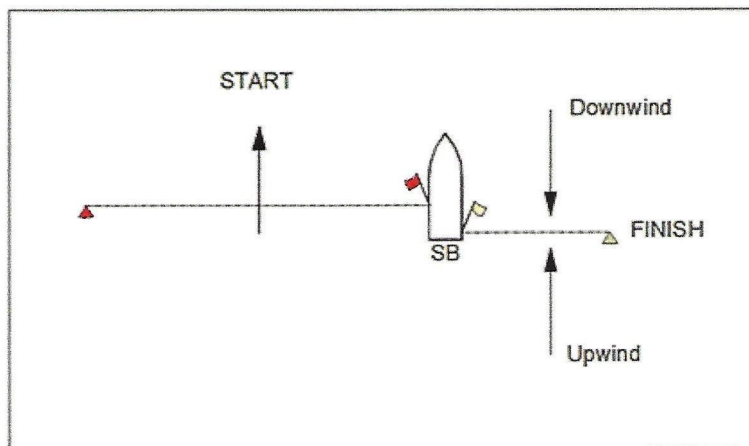
9 START

- 9.1 The first boat, or rating band of boats, will have a Rule 26 starting sequence.
- 9.2 Subsequent rating bands of boats will follow at intervals of 5 minutes. This changes RRS 26.
- 9.3 The **Green** class flag will be raised one minute before each start and will be dropped at each start.

10 FINISH

The finishing line will be between a staff flying a yellow flag on the starboard side of the Signal Boat and a nearby yellow mark.

Navigator Fleet Finish Diagram



11 TIME LIMIT

There is no time limit for the Navigator Fleet.

12 SCORING

Corrected times will be calculated by multiplying the elapsed time by a correction factor based on the boats PHRF rating.

Standard Pursuit Courses

Approximate Start Location
Lat 35 02.4, Long 076 58.39

#	Wind Direction	Wind Range							Nautical Miles	
1	0	5-9	start	W	22	F			5.9	
2	0	10-14	start	W	22	13	F		9.2	
3	0	15-20	start	W	2	17	11	22	F	13.6
4	30	5-9	start	N1	2	17	15	F	5.5	
5	30	10-14	start	W	22	13	F		10.9	
6	30	15-20	start	W	22	11	F		12.4	
7	60	5-9	start	2	17	13	F		6.1	
8	60	10-14	start	W	26	13	F		11.1	
9	60	15-20	start	W	26	15	F		12.5	
10	90	5-9	start	W	26	F			7.0	
11	90	10-14	start	W	22	13	F		10.8	
12	90	15-20	start	W	22	11	F		12.3	
13	120	5-9	start	W	17	11	F		6.3	
14	120	10-14	start	W	22	15	F		10.1	
15	120	15-20	start	W	22	11	F		12.5	
16	150	5-9	start	11	F				5.8	
17	150	10-14	start	13	22	F			10.2	
18	150	15-20	start	11	17	2	22	F	12.5	
19	180	5-9	start	17	11	F			5.9	
20	180	10-14	start	13	22	F			10.0	
21	180	15-20	start	11	22	F			11.5	
22	210	5-9	start	W	17	2	N1	F	4.5	
23	210	10-14	start	17	13	22	F		10.1	
24	210	15-20	start	17	11	22	F		11.6	
25	240	5-9	start	26	F				6.2	
26	240	10-14	start	W	13	22	F		10.6	
27	240	15-20	start	W	11	22	F		12.0	
28	270	5-9	start	22	26	F			6.3	
28	270	10-14	start	W	15	22	F		9.9	
30	270	15-20	start	W	11	22	F		12.3	
31	300	5-9	start	11	F				5.8	
32	300	10-14	start	22	13	F			10.1	
33	300	15-20	start	26	11	F			11.9	
34	330	5-9	start	22	F				5.8	
35	330	10-14	start	22	13	F			10.1	
36	330	15-20	start	26	11	F			11.9	

Code: Marks in **Red** leave to Port
 Marks in **Green** leave to Starboard
 W represents a mark set to windward of start & distant .53nm
 Numbers are fixed marks of the Neuse River