



2011 Bill Heintz Memorial Annual Regatta SAILING INSTRUCTIONS

1 RULES

The regatta will be governed by the rules as defined in the current Racing Rules of Sailing (RRS).

2 ENTRIES

Competitors may enter by delivering a completed entry form and paying the entry fee to the race committee as stated in the notice of race. Three boats of a class must be entered and be in the racing area for a class start.

3 NOTICES TO COMPETITORS Notices will be posted on the clubhouse window near the flagpole.

4 SIGNALS MADE ASHORE and ON THE WATER

Signals made ashore will be displayed from the flagpole in front of the clubhouse. Signals such as designating a racing area, choice of sound-signal starting system, or number of races may be given on the water by displaying flag L with one sound.

5 SCHEDULE

Friday, the warning signal for the race will be at 1330 for Annapolis to Galesville Race, Saturday: 0930 skippers' meeting, 11:00 AM first warning, Sunday: 1000 first warning. Subsequent races will be held as soon as possible. No races will be started after 1500 on Sunday.

6 CLASS FLAGS The class flag will show the class insignia or as stated by a notice to competitors.

7 RACING AREA The racing areas are shown on the drawing of West River.

Course 1 Dock Course Optimist – Red, White, Blue & Green Fleet

Course 2 Cove Course Flying Scot, Penguin, Windmill, 420's, Laser, Laser Radial

Course 3 Inside Course Chesapeake 20, Albacore, Jet14, A-Class, & Nacra20 Catamaran

8 COURSES and MARKS

Courses will be Windward-Leeward or Windward-Leeward-Triangle with options in RRS Appendix L, designated by a letter "W" or "O" (respectively) posted to starboard on the signals boat. Courses with a leeward finish will be designated with the number of legs, "W4" or "O5." Marks will be inflated orange or yellow cylinders or balls.

9 STARTING AND FINISHING LINES and STARTING SYSTEM

The starting line will be between a staff on the RC boat displaying a yellow flag or "S" flag and a nearby mark on the port side of the start boat. The finish line will be between the yellow flag on the committee start boat and a nearby mark or the port side of the finishes boat and a nearby mark.

Rule 26 is the default starting system. The Sound Signal Starting System of RRS Appendix Q may be used on notice to competitors.

10 TIME LIMIT

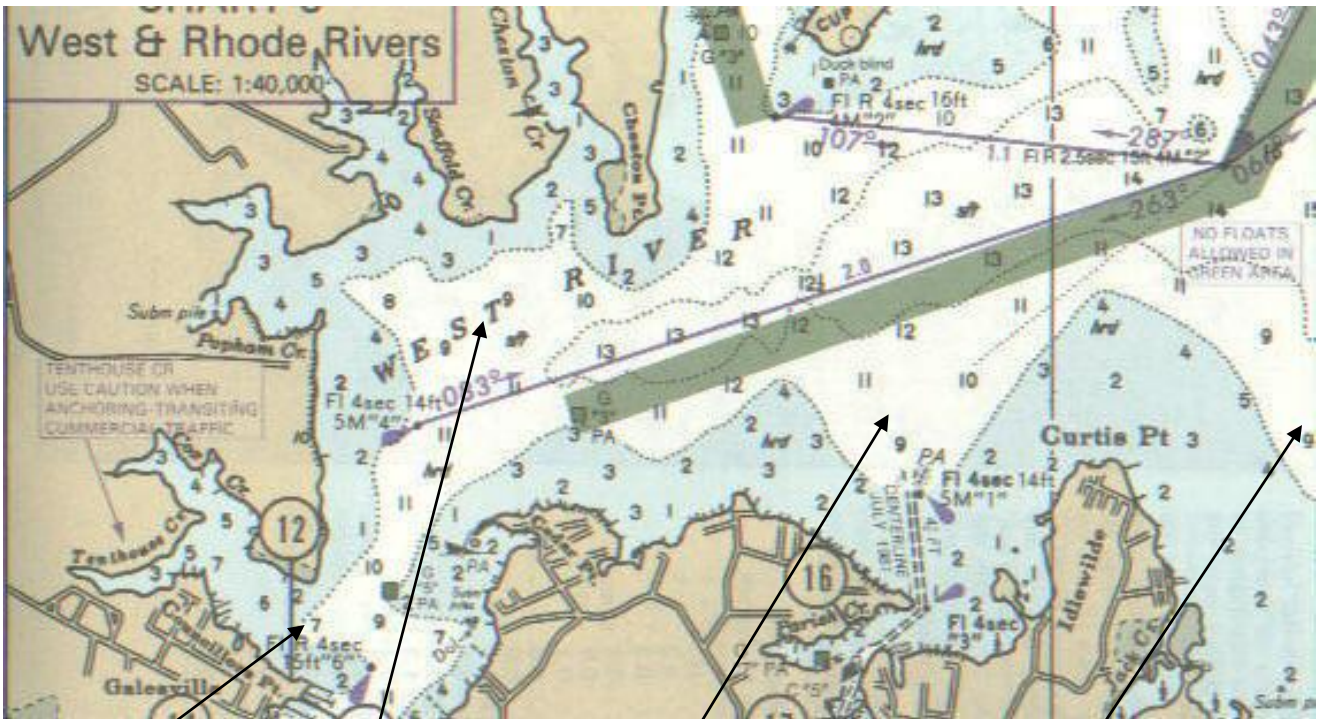
The time limit for each race will be 2 ½ hours for the first boat to finish. Boats finishing more than 30 minutes after the first boat of their class finishes will be scored DNF. This changes RRS 35.

11 PROTESTS

Protests shall be delivered to the race committee within one hour after the race committee boat docks.

The protest time limit and a list of protests received will be posted on the notice board. Hearings will be held as soon as possible after racing each day in the clubhouse boardroom.

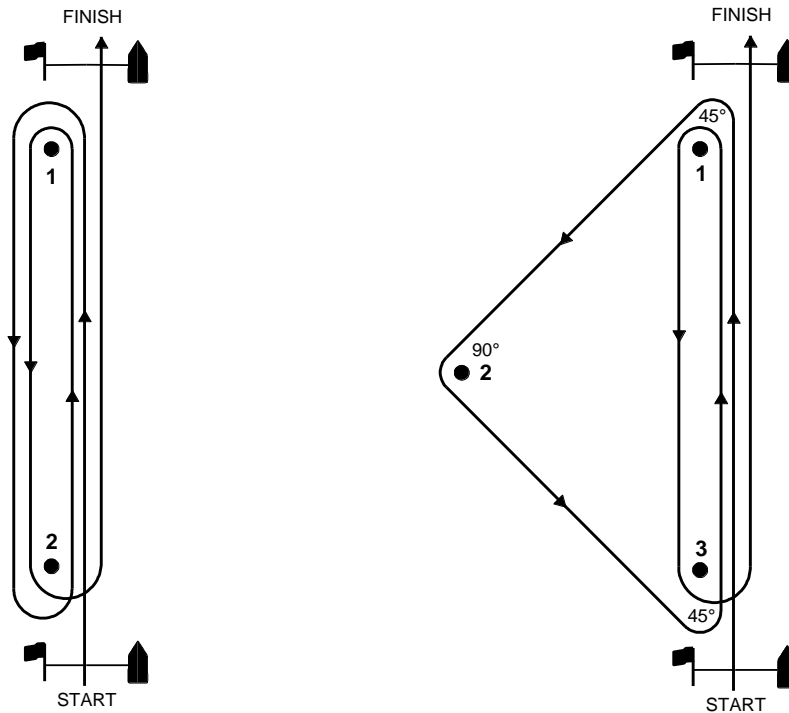
12 SCORING The Low Point System (RRS A4.1) will apply. If at least six races are completed, each boat's worst score will be excluded from her series score. This changes RRS A2. One race constitutes a series.



Dock Cove Inside Outside

Windward-Leeward Course (W): Options for this course include deleting the last windward leg (**W4**), using an offset turning mark at the windward mark, and using the leeward and windward marks as starting and finishing marks. Windward Offset Marks and/or Leeward Gates may be used. A Leeward Gate will be indicated by the addition of a letter **G** (ex. **W4G**).

Windward-Leeward-Triangle Course (O): Options for this course include deleting the last windward leg (**O5**), varying the interior angles, and using the leeward and windward marks as starting and finishing marks.





Special Sailing Instructions

Annapolis to Galesville Long Distance Race

Friday, September 2, 2011

Regatta Chair: Al Lohman

PRO: Lloyd Kinch

Safety: Lincoln Phillips

Registration: On-site 0830 to 0900 at WRSC. No fee for members of WRSC or SSA, \$10 for others. On-line go to WRSC Annual Regatta (<http://www.regattanetwork.com/clubs/wrsc.php>) All participants must complete an entry form and turn it into the RC before racing in order to be scored. Entry forms are attached.

Rendezvous: 0900 at WRSC. Big boats will be available for towing one design boats if necessary. Towing boats leave the dock at 0930. Dinghies (other than catamarans) may also launch from SSA, provided an SSA entry form is completed and vehicle and trailer are removed by Friday evening.

Lunch Break/Skippers' Meeting: 1200 – 1300 on terrace at SSA. Sandwiches & cold beverages available for purchase, provided by SSA Snack Bar cash or checks only—Contact Betka Yates directly to arrange for lunch plans since they are usually not open during this time. 410-919-8788 or realfoodssa@gmail.com or you may bring your own.

Start: 1330 Between orange mark & yellow flag on Race Committee Boat in the Annapolis Harbor near SSA.

Finish: Between orange drop mark & yellow flag on WRSC dock

Course: Small One-Design Dinghies: Thomas Point Lighthouse shall be kept to starboard. This is the only mark of the course.

Course: Big Boats – 22' or larger: Tolly's Point (#1AH) and Thomas Point Lighthouse shall be kept to starboard. All West River government marks shall be honored except Red # 6.

Big Boats must be available to assist One Design racing boats if help is needed or if course is shortened.

Radio: It is STRONGLY ENCOURAGED that all boats have a VHF or cellphone on board. Boats should monitor VHF 69 for info from the R.C.

Signals: Races will be started in accordance with RRS 26.

Each one design class must have at least 3 boats to be given a class start. If a class has less than 3 boats, classes will be combined. Our intent is to have the following starting sequence. Confirm with PRO during lunch break and watch RC boat for appropriate flag signals.

Class	Time	Signal
	1330	Warning
Laser, IC& Albacore	1335	Start
Flying Scot & Chesapeake 20	1340	Start
Catamarans	1345	Start
Non-Spin & Spinnaker Big Boat	1350	Start

Time Limit: 4 hours for all entrants

If a contestant withdraws, he/she must advise the Race Committee on channel 69 or call the WRSC clubhouse 410 867 WRSC at the earliest opportunity - The Race Committee has the option to shorten and finish boats at any mark.

Protest: Verbally notify RC boat at finish. Written protest due on Race Day at WRSC within 1 hour of return of RC Boat - Hallie Q to WRSC dock. Hearings will be scheduled at a later time.

Awards: 1st/3, 2nd/5, 3rd/7 or more finishers. Presentation will be Sunday Sept. 4, 2011 approx. 1630 on WRSC patio.

Social Event: **Past Commodore's Reception** - Approx. 1700 to 1900 on WRSC patio for Annapolis to Galesville Sailors – Complimentary Appetizers & Cash Bar. **Dinner** - Approx 1800 to 2000 – Burgers, Hotdogs, & Crab cakes to included salads/sides/dessert for purchase